



multi-technology manufacturing solutions

Tecan brings together the best features of multiple technologies to deliver the finest precision parts to overcome limitations imposed by the use of each single technology.

innovators in chemical etching since 1970

tecan[•]

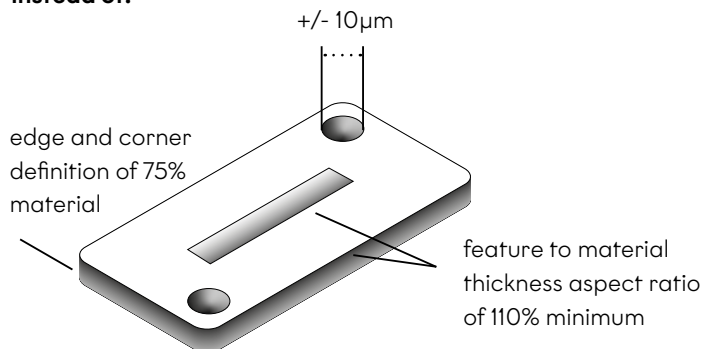
multi-technology manufacturing solutions

Each precision manufacturing process has its pros and cons. For example, where one method can achieve $>10\mu\text{m}$ tolerance capability, another can reach $2\mu\text{m}$ feature resolution, but this may be at the expense of speed and cost.

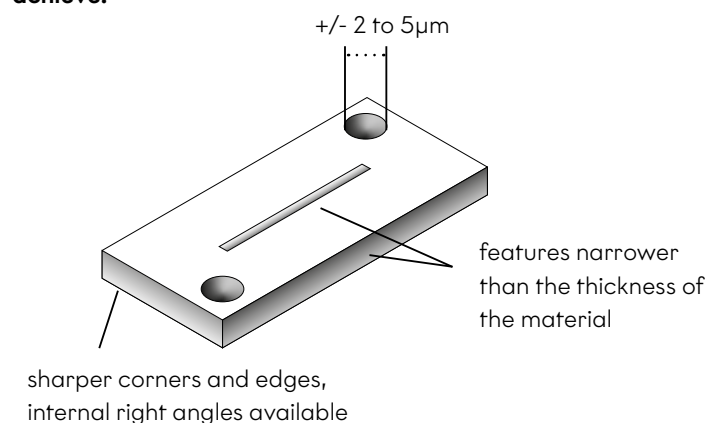
The Tecan advantage

With more than 5 decades of innovation in photochemical etching (PCM) at our core, Tecan continues its pioneering mission. We are proud to bring together the best features of both PCM and laser machining to deliver the finest precision parts to overcome limitations imposed by the use of each single technology. This delivers clear advantages across methods of manufacturing:

instead of:



achieve:



$>10\mu\text{m}$ tolerance capability	→	$\pm 2 \text{ to } 5\mu\text{m}$ feature resolution
Edge profile constraints	→	Straight edge cuts
Purely subtractive	→	Laser welding
No Ti capability	→	Ti machining capability
$<2\text{mm}$ thickness	→	$<5\text{mm}$ thickness
Low throughput	→	High throughput
Slow	→	Rapid
High cost per feature	→	Low cost per feature

As a result, Tecan can develop and produce bespoke solutions across a variety of metals which not only deliver critical features that a single process cannot achieve in isolation, but also maximise cost effectiveness and technical capabilities.

As a single point source for complex components with highly precise features -even if they need forming and assembly - we can help you overcome the most testing of design challenges. Take your designs to the next level and start prototyping with us.